

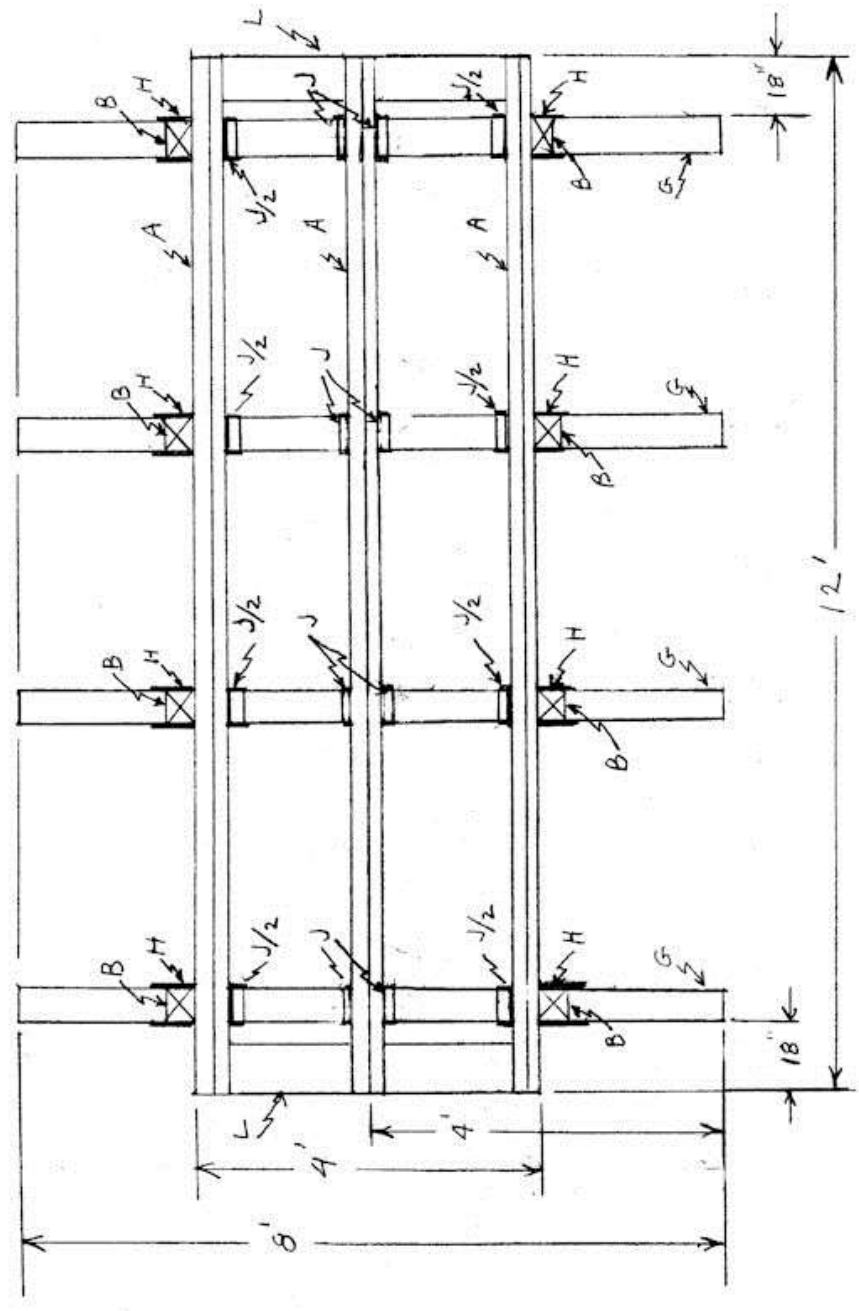
Pencil Factory Dam Spillway Bridge

Acton Land Stewardship Committee

Robert F. Guba

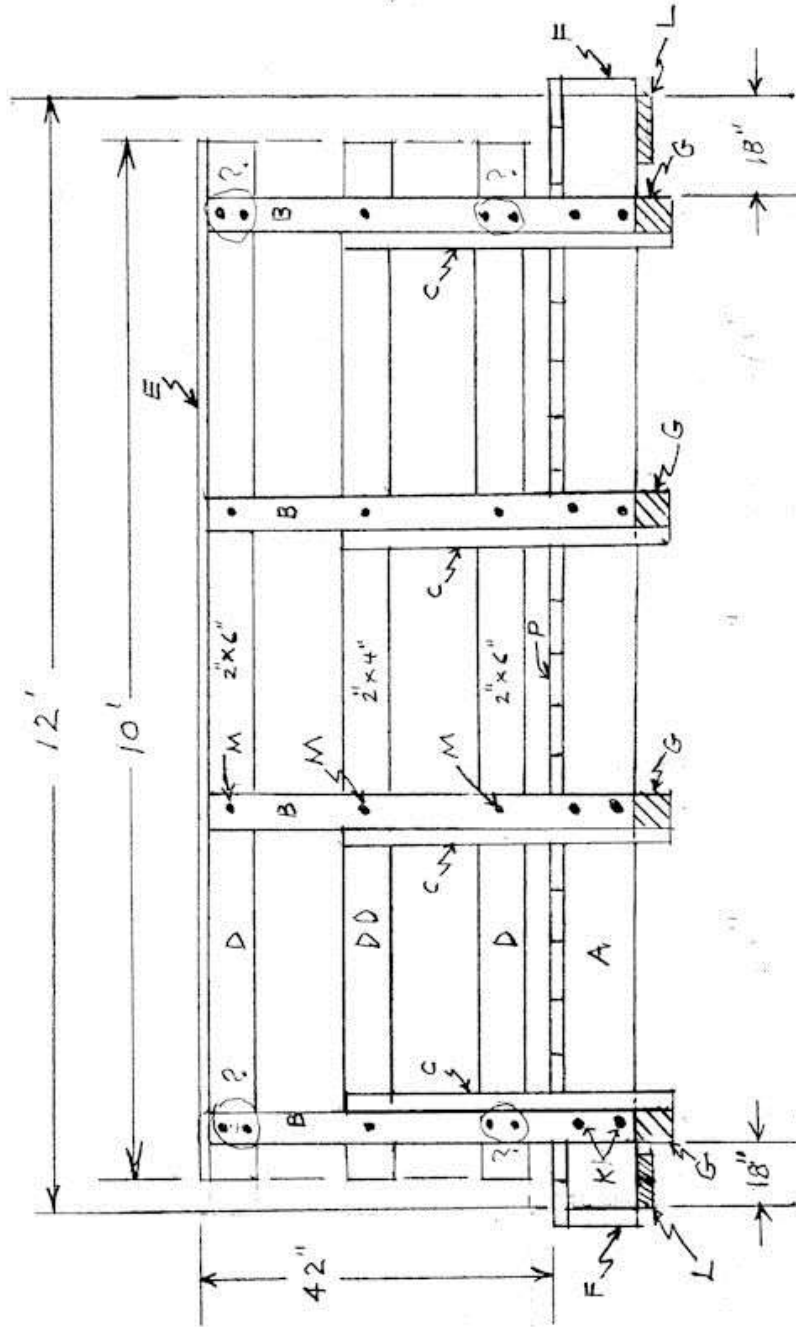


TOP VIEW - STRINGER FRAME



DRAFT #1
PENCIL FACTORY
SPILLWAY BRIDGE
7/8/15
7/15/15

SIDE VIEW

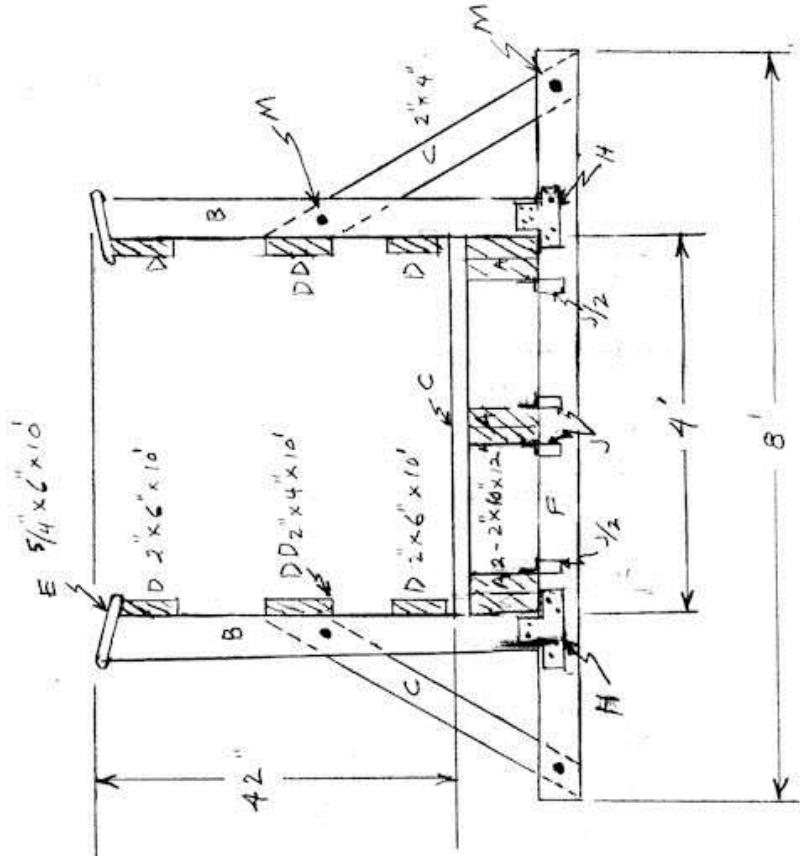


DRAFT #2

NOT TO SCALE

PENCIL FACTORY
 SPILLWAY BRIDGE
 7/9/15
 7/15/15

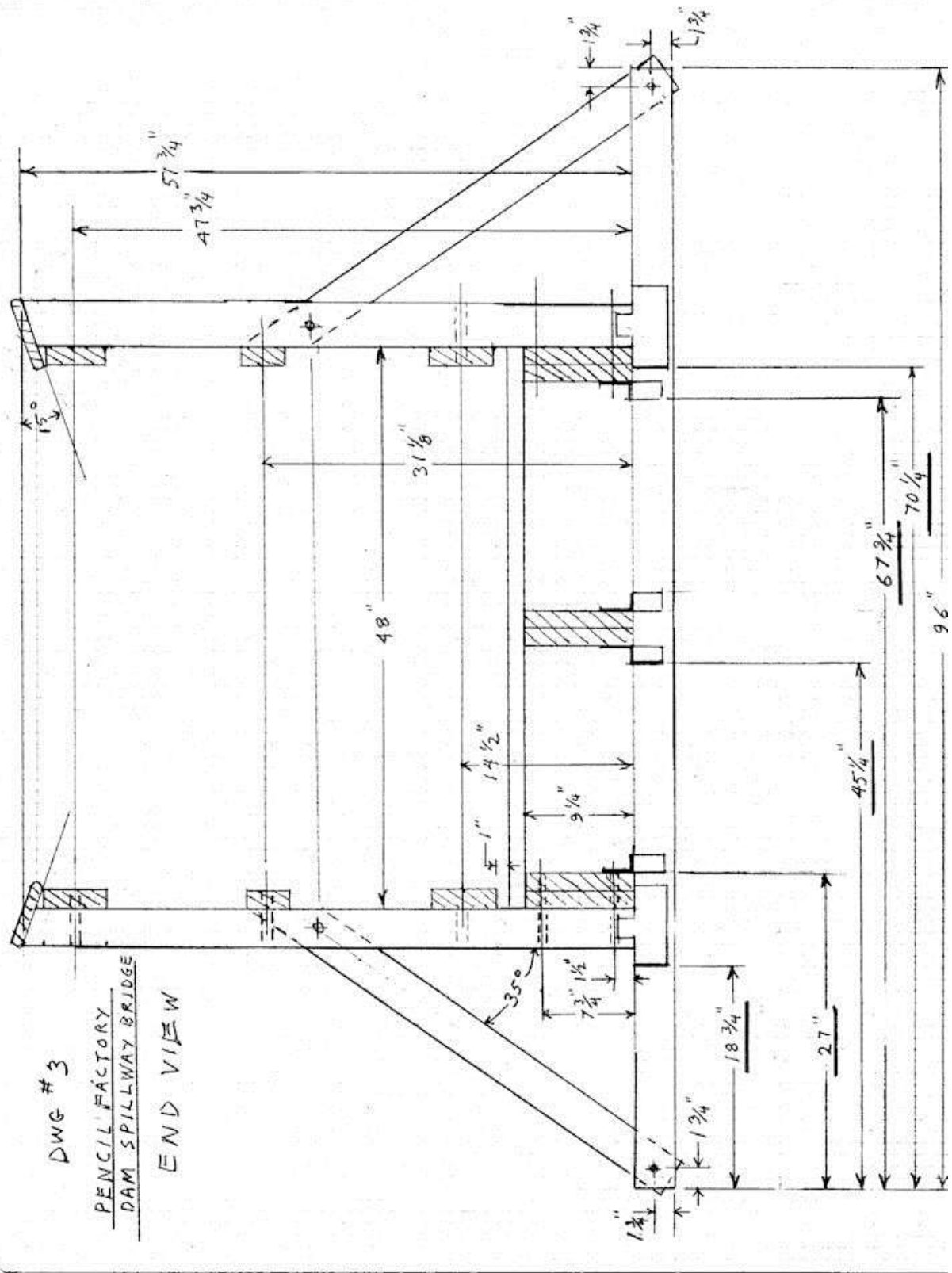
END VIEW



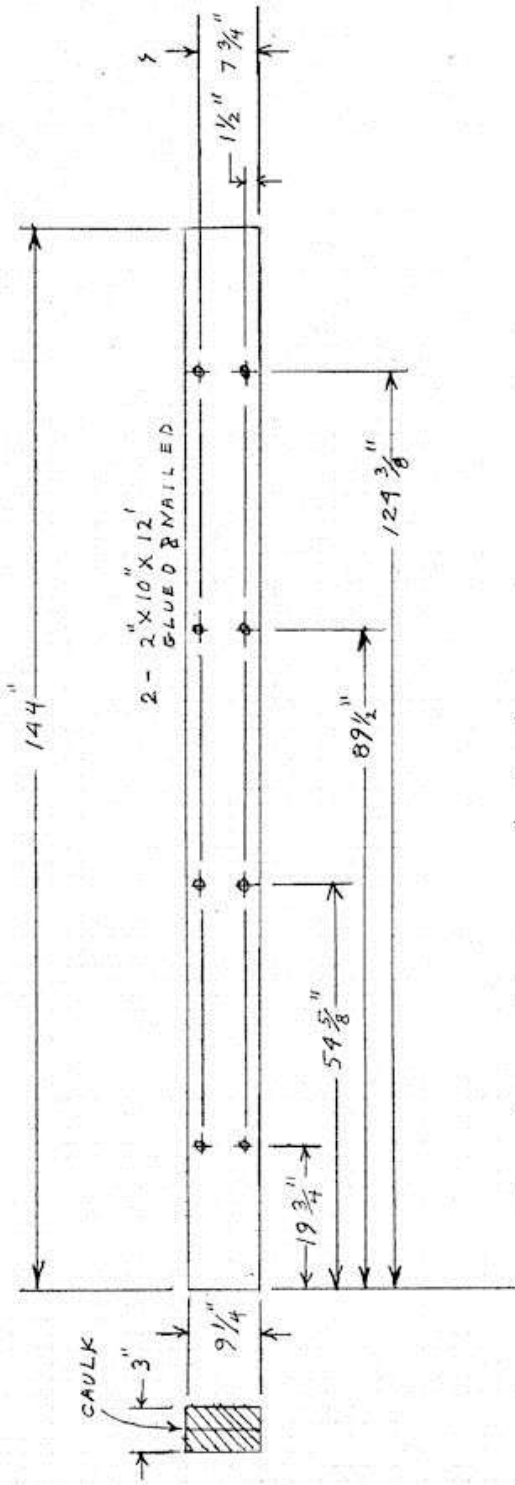
DRAFT # 3

PENCIL FACTORY
SPILLWAY BRIDGE

7/8/15
7/15/15



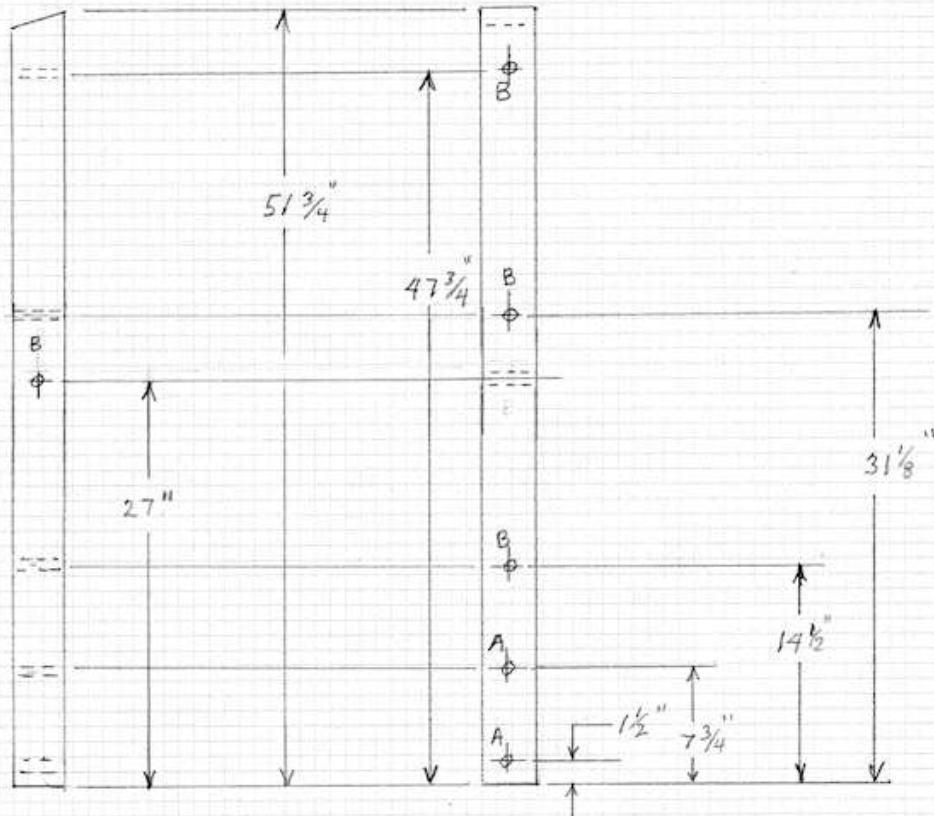
DWG #3
 PENCIL FACTORY
 DAM SPILLWAY BRIDGE
 END VIEW



NOTE: GLUE & NAIL 2-2"X10"X12'
 NAIL: 9d 2 3/4" HOT DIPPED GALVANIZED
 COMMON NAIL

DWG # 1

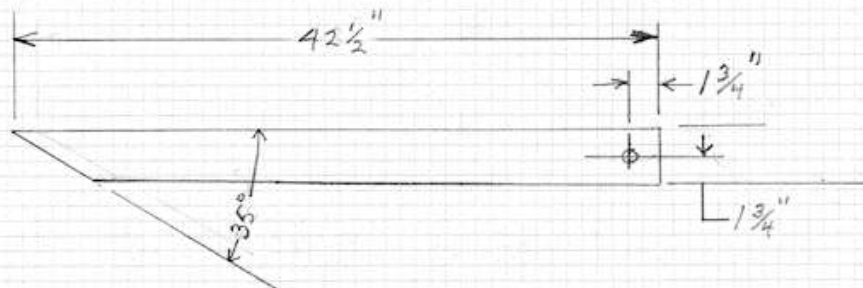
BRIDGE STRINGERS
 3 REQUIRED



12"
SCALE

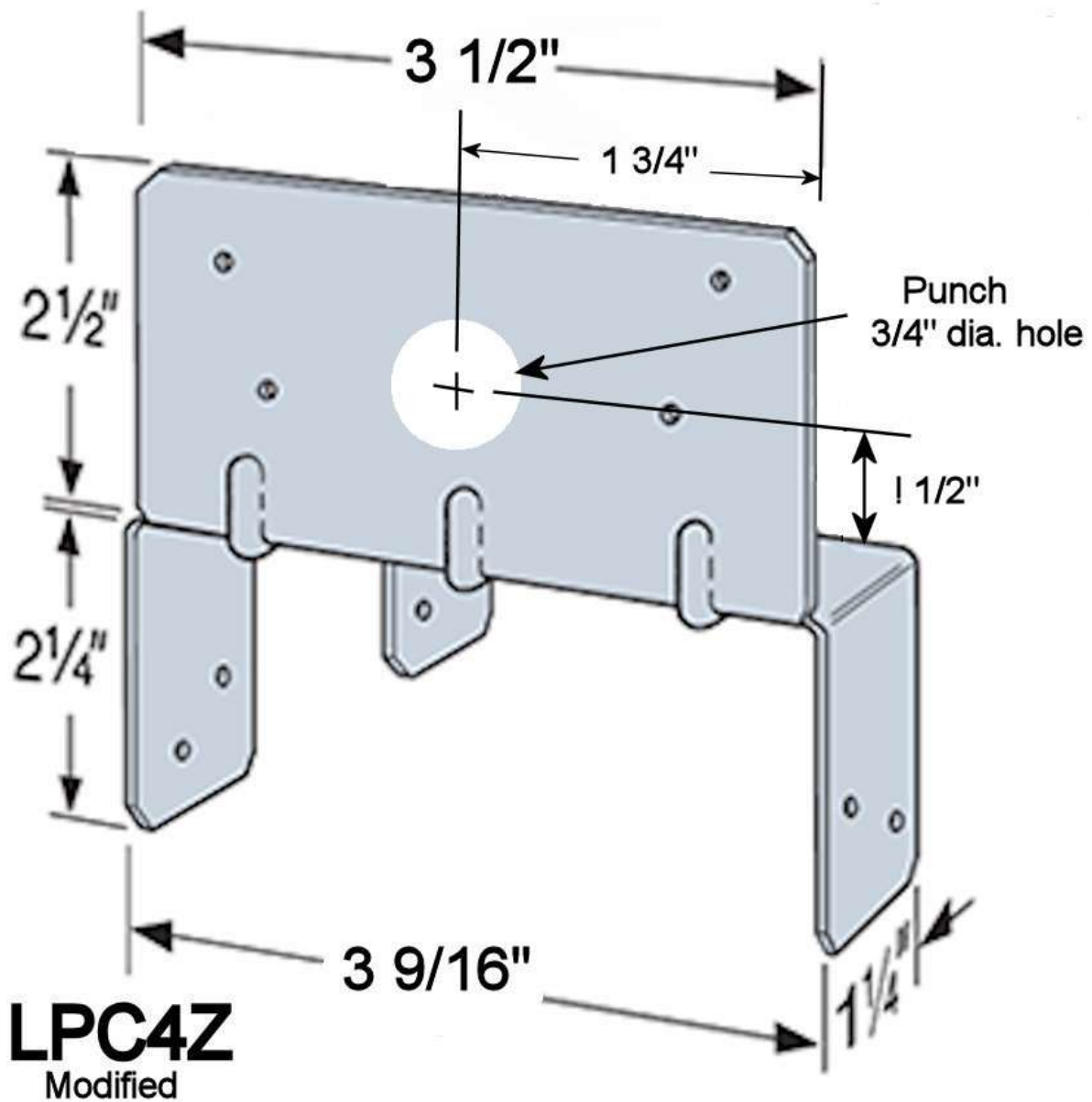
A - 1/2" DIA. THRU
B - 3/8" DIA. THRU

DWG #2
RAIL POST
8 REQUIRED
7-11-15



12"
SCALE

DWG #4
RAIL POST BRACE
8 REQUIRED
7-11-15



Eight required

Materials List

Drawing ID

A	Stringers	6 - 2" x 10" x 12'	Pressure Treated
B	Rail Posts	4 - 4" x 4" x 10'	Pressure Treated
G	Rail Post Cross-Ties	4 - 4" x 4" x 8'	Pressure Treated
C	Rail Buttresses	4 - 2" x 4" x 8'	Pressure Treated
D	Side Rails	4 - 2" x 6" x 10'	Pressure Treated
DD	Side Rails	2 - 2" x 4" x 10'	Pressure Treated
E	Top Rails	2 - 5/4" x 6" x 10'	Mahogany
F	End Board	1 - 2" x 10" x 10'	Pressure Treated
L	Abutment Board	1 - 2" x 6" x 10'	Pressure Treated
P	Planks	8 - 2" x 6" x 12'	Pressure treated
H	8 - Simpson Strong-Tie Post Cap PC4Z		Hot dipped galvanized
J	16 - Simpson Strong-Tie Post Cap Adj. LPC4Z		Hot dipped galvanized
	3 - Pack (100) Simpson Strong-Drive SD Connector Screw #9 x 1 1/2"		
K	16 - 1/2"-13 x 8" galvanized carriage bolts		
	16 - 1/2" galvanized flat washers		
	16 - 1/2"-13 galvanized hex nuts		
M	48 - 3/8"-16 x 6" galvanized carriage bolts		
	50 - 3/8" galvanized flat washers		
	50 - 3/8"-16 galvanized hex nuts		
	1 - 5 lb. box 3" x #9 exterior screws T-25 star drive, type 17 point		
	3 tubes of PL waterproof exterior polyurethane construction adhesive		
	2 - Hex drivers for Simpson SD connector screw #9 x 1 1/2"		